


美的吸尘器 使用说明书


VACUUM CLEANER OPERATION INSTRUCTIONS MANUAL

P71 (VH1701) / P73 (VH1702) / P75 (VH1703)

江苏美的清洁电器股份有限公司

 通讯地址：苏州市相城经济开发区漕湖大道39号 邮政编码：215000


 400-8899-315  24h 服务热线 免长途  www.midea.com

 执行标准：GB4706.7-2014 / GB4706.1-2005 / GB4343.1-2009 / GB17625.1-2012
版本号：VH170110-06-R2.0 / VH170210-06-R2.0 / VH170310-06-R2.0

Jiangsu Midea Cleaning Appliance Co.,Ltd

 Address: No.39 Caohu Avenue, Xiangcheng Economic Development Zone, Suzhou Post: 215000

 400-8899-315  24h HOT LINE FREE  www.midea.com

 Executive standard：GB4706.7-2014 / GB4706.1-2005 / GB4343.1-2009 / GB17625.1-2012
Version No.：VH170110-06-R2.0 / VH170210-06-R2.0 / VH170310-06-R2.0



使用产品前请仔细阅读本说明书，并请妥善保管。

Please read this Instruction manual carefully before operating, and keep it properly.

目录

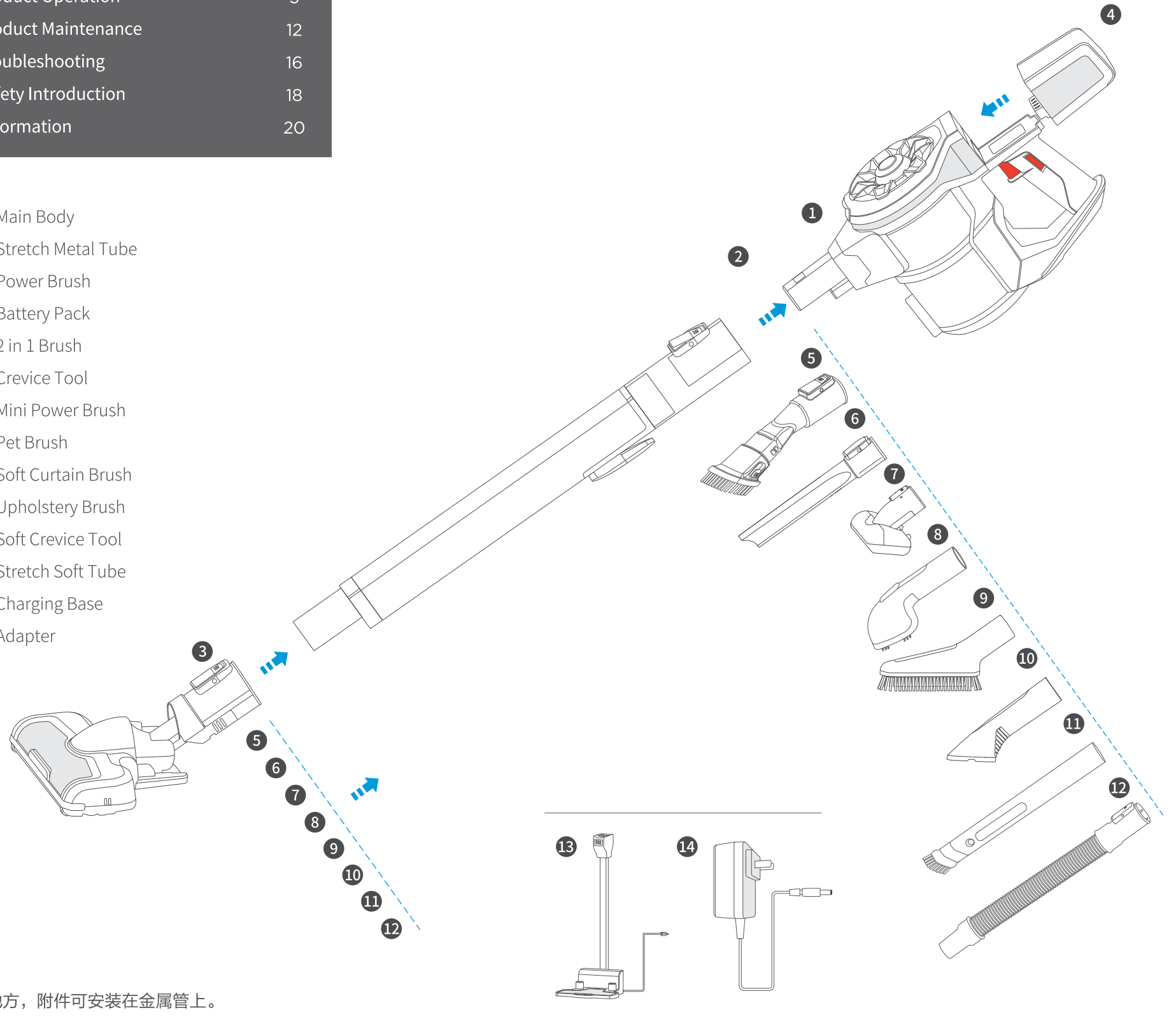
Contents

产品介绍	Product Introduction	2
使用说明	Product Operation	5
维护保养	Product Maintenance	12
异常处理	Troubleshooting	16
安全说明	Safety Introduction	18
保修须知	Information	20

产品介绍

Product Introduction

- ① 主机 Main Body
- ② 伸缩金属管 Stretch Metal Tube
- ③ 电动地刷 Power Brush
- ④ 电池包 Battery Pack
- ⑤ 2合1刷 2 in 1 Brush
- ⑥ 扁吸 Crevice Tool
- ⑦ 电动床刷 Mini Power Brush
- ⑧ 宠物刷 Pet Brush
- ⑨ 软毛窗帘刷 Soft Curtain Brush
- ⑩ 沙发吸 Upholstery Brush
- ⑪ 组合扁吸刷 Soft Crevice Tool
- ⑫ 伸缩软管 Stretch Soft Tube
- ⑬ 充电支架 Charging Base
- ⑭ 适配器 Adapter



提示：当清洁高的地方，附件可安装在金属管上。

Tips: Accessories can be connected with extension tube when cleaning high position.

产品介绍 Product Introduction

装箱明细 Packing details

名称 / 型号	VH1701	VH1702	VH1703
主机	○	○	○
伸缩金属管	○	○	○
电动地刷	○	○	○
电池包	○	○	○
2合1刷	○	○	○
扁吸	○	○	○
电动床刷			○
宠物刷		○	○
软毛窗帘刷	○	○	○
沙发吸	○	○	○
组合扁吸刷		○	○
伸缩软管		○	○
充电支架	○	○	○
适配器	○		

Name / Model	VH1701	VH1702	VH1703
Main Body	○	○	○
Stretch Metal Tube	○	○	○
Power Brush	○	○	○
Battery Pack	○	○	○
2 in 1 Brush	○	○	○
Crevice Tool	○	○	○
Mini Power Brush			○
Pet Brush		○	○
Soft Curtain Brush	○	○	○
Upholstery Brush	○	○	○
Soft Crevice Tool		○	○
Stretch Soft Tube		○	○
Charging Base	○	○	○
Adapter	○		

使用说明 Product Operation

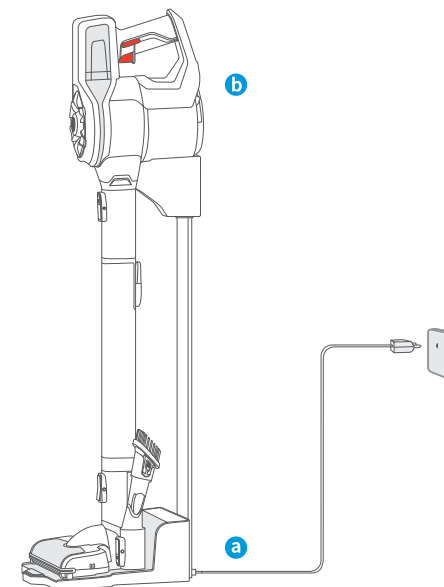
充电

出厂时电池未充电，
在使用前请务必将电池充满。

Charging

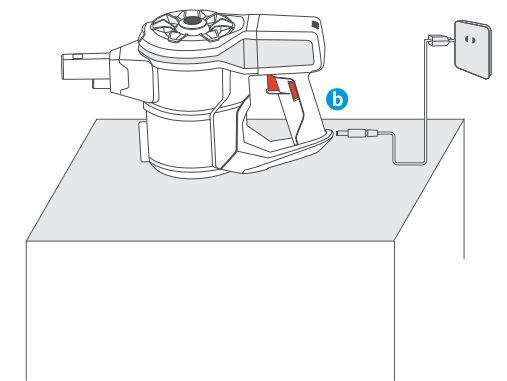
The battery must be fully charged before
the first usage as the product is delivered non charged.

01 将主机放置于充电支架上。
Recharge on the docking station.



- a** 电源线连接插座和壁挂支架开始充电，电量指示白灯闪烁；
- b** 电源线连接插座与主机手柄部分的充电端口开始充电，电量指示白灯闪烁；
- c** 运行过程中产品电量不足，电池电量指示灯闪烁提示。
- a** Connect the adapter to the docking station and socket, power indicator flickers.
- b** Connect socket and appliance with adaptor and cord, and power indicator starts to flicker.
- c** Power indicator flickers if battery power is insufficient during appliance operating.

02 将主机放置于台面充电。仅VH1701适用。
Recharge on flat surface. Only for VH1701.



- b** 电源线连接插座与主机手柄部分的充电端口开始充电，电量指示白灯闪烁；
提示：避免机器滑倒，建议把地刷和导电金属管卸下，主机放置水平面进行充电。
- b** Connect socket and main body with adaptor and cord, and power indicator starts to flicker.
Tips: In case of dropping, appliance should be charged horizontally, without brush and extension tube.

充电时间

VH1701充电时间：3-4小时。

VH1702 / VH1703充电时间：约1小时。

Charging time

VH1701 charging time : 3-4 hours.

VH1702 / VH1703 charging time: around 1 hours.

放电时间

VH1702 / VH1703: 高档≥10分钟 低档≥30分钟

VH1701: 高档≥10分钟 低档≥20分钟

Work time

VH1702 / VH1703: Max mode≥10min, Normal mode≥30 min

VH1701: Max mode≥10 min, Normal mode≥20 min



1. 请勿在5℃以下和40℃以上的环境充电；
2. 为确保电池特性正常发挥，当电池使用后处于发热状态时，产品放置于充电座上后，产品将自动启动温度监控，冷却至正常温度后才会开始进行充电。

1. Please do not charge if the ambient temperature is lower than 5°C or higher than 40°C.
2. To make sure the performance of battery, when there is temperature rising, please put the product on the charging base, then the temprature monitoring would be initiated automatically. After the temprature returns to a normal value, the charging process will be activated.

清扫

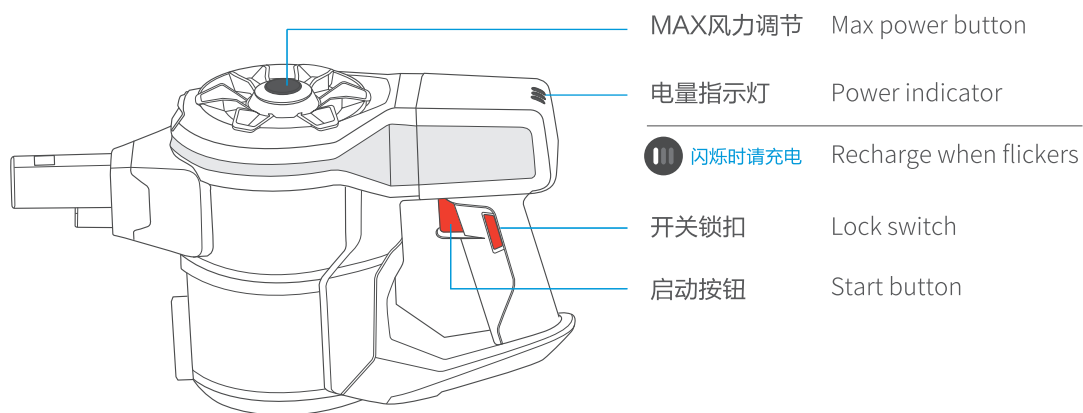
为避免堵塞风道，请先清理区域内的大块垃圾（如大纸片、包装膜等）。

Cleaning

To prevent blockage of the air passage large objects like large paper and packing materials should be removed from the area before start cleaning.

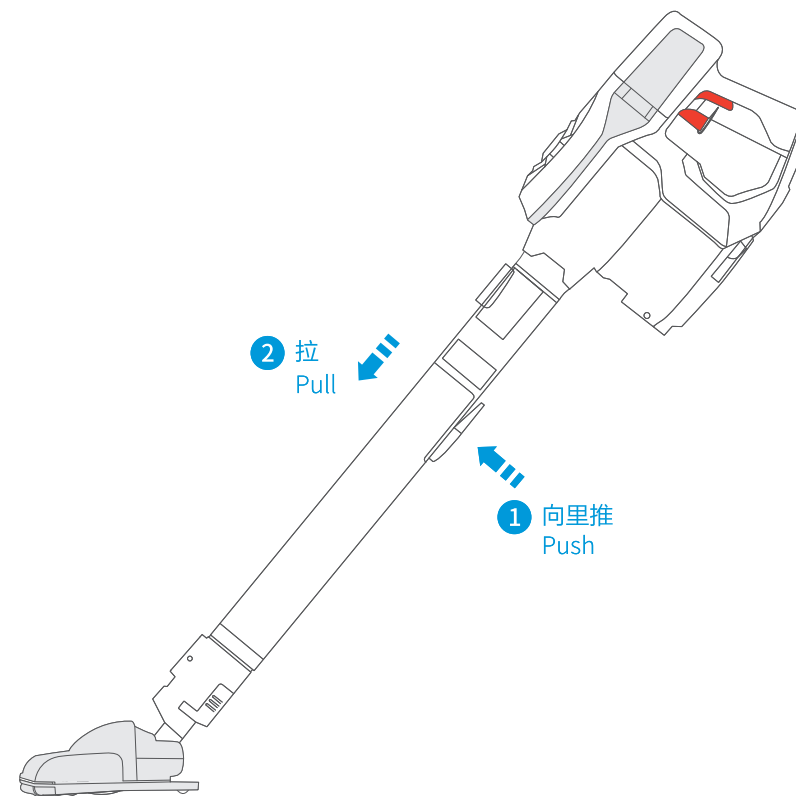
1. 按住“启动键”开始清扫（可将开关锁向上滑动，使机器保持运行状态）；
2. 按压“MAX风力调节键”调节风力（适个人需要）；
3. 松开“启动键”停止清扫（如果开关锁扣打开，需先关闭开关锁扣）；

1. Press “Start” for cleaning (slide the lock switch upward and release “start” to keep it in operation).
2. Press “MAX” to switch between intense cleaning and energy savings suction modes (according to user's need).
3. Release the “Start” button to stop cleaning (lock switch needs to be unlocked).



4. 按下伸缩管按钮，按照要求拉伸伸缩管长度。

Push down the extension lock button, then pull the tube to the length needed.



1. 请勿在连接插头状态下使用；
2. 整机从支撑架上取下来需等待3秒才可以启动；
3. 仅VH1703带有灰尘感应，开机是自动档，可根据灰尘浓度自动调节功率大小。按下max键切换高低档。如需恢复自动模式，请关机重启。

1. Please do not use it with the plug connected.
2. Wait for 3 seconds after the battery is removed.
3. The dust sensor is only for VH1703. when turn on the machine, it is automatic mode that can adjust the power automatically according to the dust concentration. Press “MAX” to switch between high mode and normal mode. If you want to turn it back to auto mode, please restart the machine.

使用说明 Product Operation

宠物刷

提示：适用于中等长度或长毛的宠物。

Pet Brush

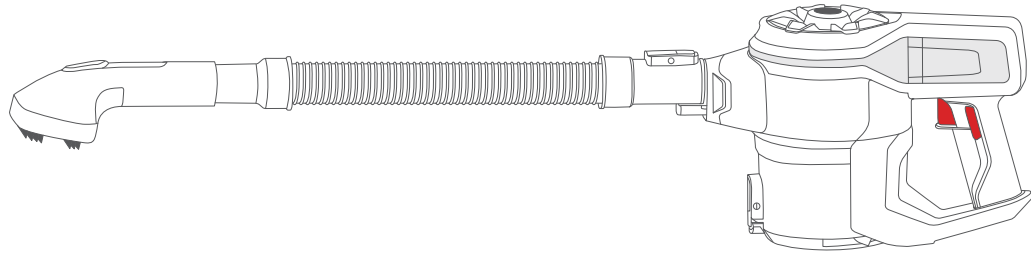
Tips : Suitable for medium or long haired pets.

宠物刷连接软管，接通整机工作。仅VH1702 / VH1703适用。

Connect the pet brush to the soft tube, and turn on the unit work. Only for VH1701 / VH1703.

在梳理过程中收集散落的宠物毛发，只需松开按键，就可以将毛发从刷毛上吸入吸尘器中。

Collect loose pets' hair during grooming. Simply release trigger to remove hair from the bristles and into the vacuum.



宠物刷使用前请务必测试宠物对于整机声响的的敏感性，以及宠物对刷子使用力度的适应性，避免宠物受到惊吓，带来不必要伤害。

Please test the sensibility of the pet to the noise and the adaptability of the force before using, to avoid scaring the pets, or cause unnecessary hurts.

使用说明 Product Operation

更换电池

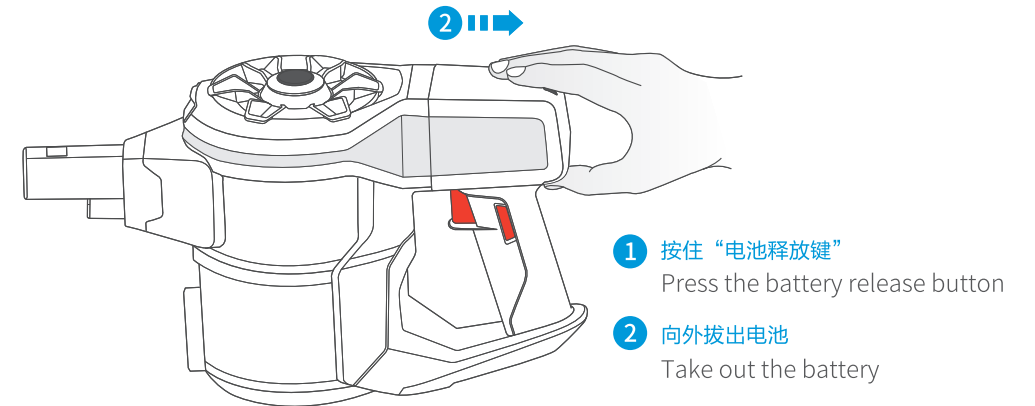
提示：若需要更换电池，请咨询您购机的商店。

Battery Replacement

Tips : To replace the battery contact the store where the appliance was purchased.

电池为消耗品，当出现整机的续航明显变短；充电时间变长情况时，请更换电池。

The battery needs to be replaced when : a. Running time is shorter b. Longer charging time.



1. 在取出电池时，产品必须要断电；
2. 请勿在5℃以下和40℃以上环境下使用和保管电池；
3. 废弃本产品时，请将电池从整机上拆下；
4. 严禁改造整机、附件以及更换电源线或电池。

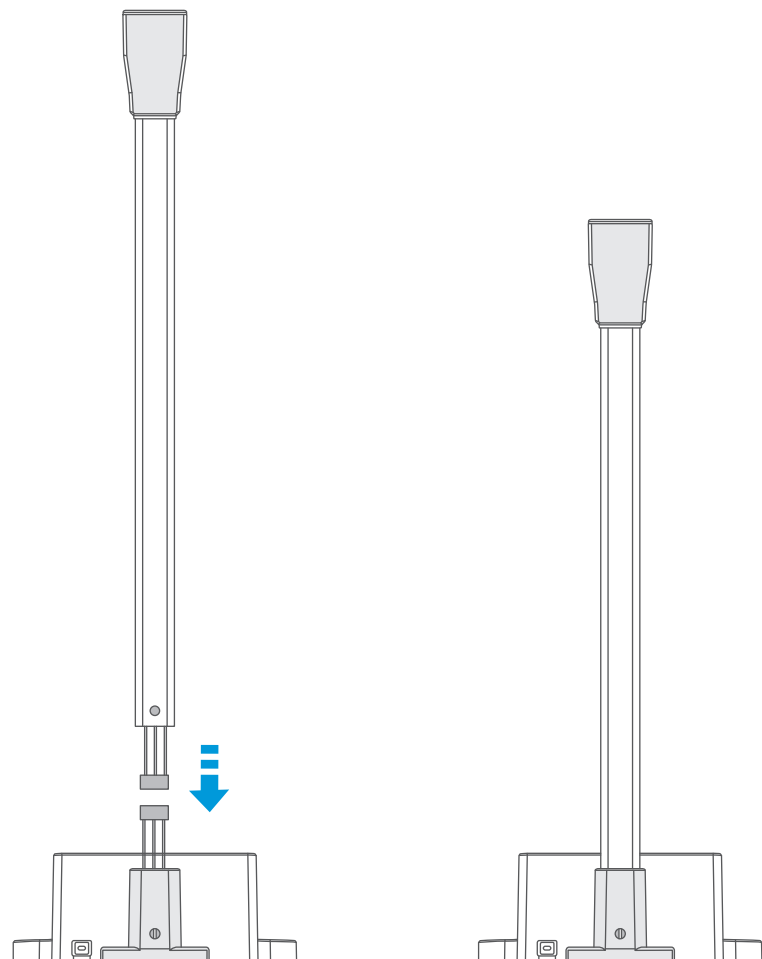
1. The appliance must be turned off before removing the battery.
2. Do not use or store in locations where the temperature is lower than 5°C or higher than 40°C.
3. Remove the battery before dispose the appliance.
4. The appliance must be serviced or repaired by a specialized technician.

电池的回收利用：废弃电池是重要的资源。废弃产品时，请勿随意丢弃电池。请依照政府法规对其进行妥善处理，协助回收至相应的废电池回收设施中。

Battery recycling/disposal: Batteries consume important quantities of natural resources, thus they should be recycled. Before discarding the appliance, the battery must be removed, disposed of according to government regulations and sent to a battery recycling facility.

使用说明 Product Operation

充电座安装 Charging Seat Installation



充电座前盖组件和充电座底盖组件之间通过对接端子连接导通，如图所示在组合时先将公插母插对接好以后，将多余长度的导线和对接端子塞入金属管内，然后将充电座前盖组件插入充电座组件内部，观察金属管弹珠从充电座底盖孔内部弹出，说明已经安装到位（组装时如果需要用很大的力按压，请检查是不是金属管压线）。

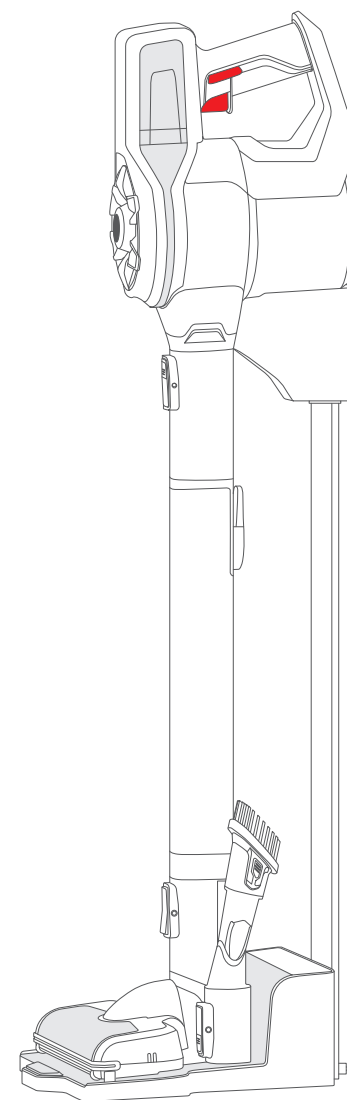
Connect by the male and female connector between the front cover assembly and bottom base assembly on the charger station, put the wire and connector into the metal tube after connect the male and female like the picture, then insert the front cover assembly into the charger base, double check, it is ok if the metal ball does not come out from hole(notice: if need big push force when install, then please check whether the wire is pressed in the metal).

使用说明 Product Operation

产品储存 Product Store

把充电支架放置于有电源插座的位置，插上电源，每次使用完后把机器放置于充电支架上，同时机器开始充电。

Place the Charging Station at the position there is power Socket, connect the power core or adaptor, put the product on the Charging Station, then start to charge.



维护保养 Product Maintenance

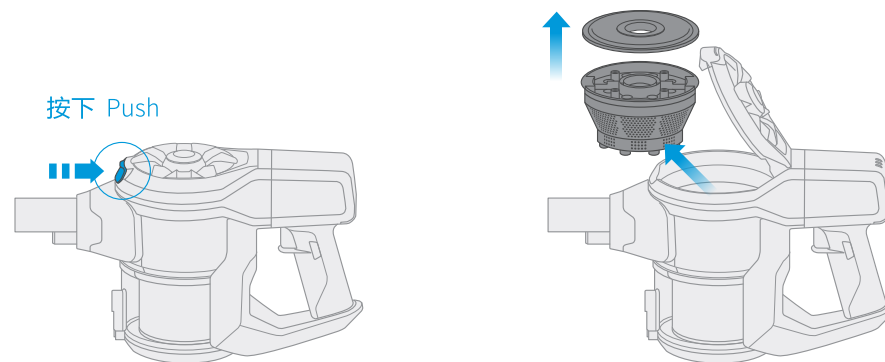
主机灰尘清理：为保持吸尘器吸力，请定期清理灰尘。

Appliance Cleaning：Please remove the dust regularly, to ensure constant suctionion.

- 01 按压按钮，打开尘杯下盖倾倒灰尘，并将底盖上附着灰尘同时清洗干净。
Empty the dust cup.



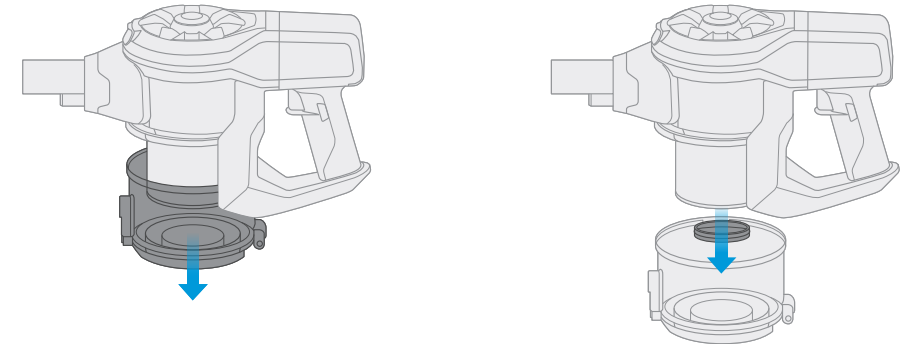
- 02 按压按钮，打开上盖，取出并清洁过滤组件。
Clean the dust filtration system.



- 03 向左旋转，卸下尘杯，清洁尘杯和底盖上的附着灰尘。
Detach and clean the dust cup.



- 04 向左旋转，卸下滤网，清洁滤网。
Clean the sponge filter.



- 05 各部件充分晾干后，根据拆解步骤装回即可。
Assemble after each part dried completely.

提示：建议每次倾倒完灰尘后，进行以上清洁工作。

Tips：Aboved steps are suggested after each dustbin empty.

⚠ 注意 Caution

1. 请注意玻璃等锐利的物品，防止受伤；
2. 整机尘杯内部结构不能水洗；
3. 各部品需完全干透后方可装机使用；
4. 请勿对过滤棉进行搓洗或对其施加蛮力；
5. 组装时请务必检查过滤棉已经安装到位；
6. 当尘杯过滤棉破损或者清洁保养不充分时，请勿继续使用。

1. To prevent injuries handle with care.
2. Do not wash the mechanical part of the dust collector.
3. Ensure each part dried completely before next usage.
4. Do not scrub the filter or apply undue force.
5. Ensure filter is correctly secured during assembly.
6. Change the filter if damaged or if cleaning does not return it to its pristine state.

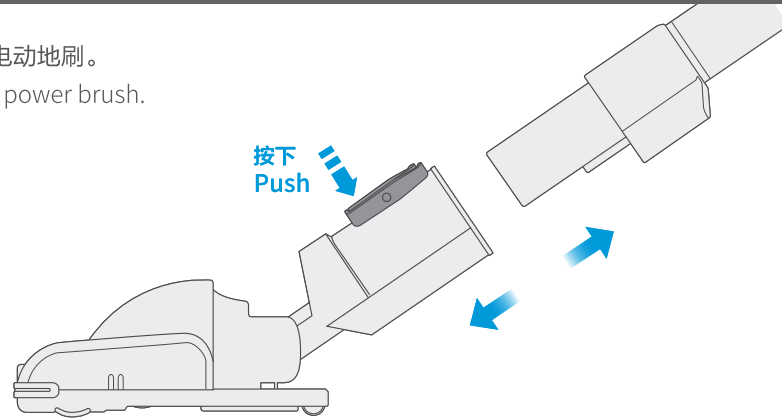
电动地刷清理

Power Brush Cleaning

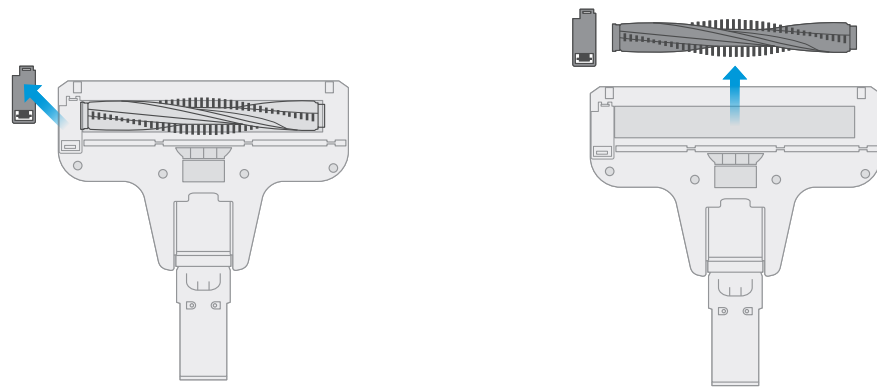
为避免影响电动毛刷运转，当电动毛刷、轮子被缠绕或脏污时，请进行清洁保养。

Please clean the brush when the brushroll or the wheel is entangled by hair

- 01 按压按钮，卸下电动地刷。
Disassemble the power brush.



- 02 向上提起滚刷压盖释放按钮 - 下滚刷清洁 - 各部件充分晾干后，按照以上拆卸步骤装回。
Unlock the brushroll lock - Disassemble the brushroll for cleaning and reassemble after all parts are completely dried.



提示：电动毛刷和清洁盖可水洗，水洗后，请充分晾干。

Tips: The brushroll and its cover are washable; Ensure they are completely dried before use.

⚠ 注意 Caution

1. 当灰尘堵塞住地刷风道时，请使用一次性筷子等去除；
2. 除了滚刷和滚刷压盖外，其余均不能水洗；
3. 请勿给电动毛刷的两端上油；
4. 运行过程中请勿触摸地刷底部电动毛刷等，或者整机出风口附近；
5. 底部的轮子或地刷起毛布磨损时，请勿继续使用。

1. When the dust blocks the air flow of the floor brush, please clean it with a stick.
2. Except for the brushroll and its cover, all others cannot be washed with water.
3. Do not apply oil to both ends of the brushroll.
4. Do not touch the working brushroll part and stay away from the air outlet when in operation.
5. Do not use when wheels or scrubber's nylon loop are damaged.

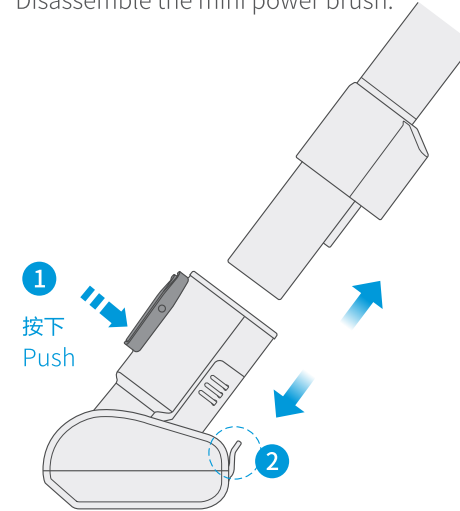
电动床刷清理

为避免影响电动毛刷运转，当电动毛刷、轮子被缠绕或脏污时，请进行清洁保养。

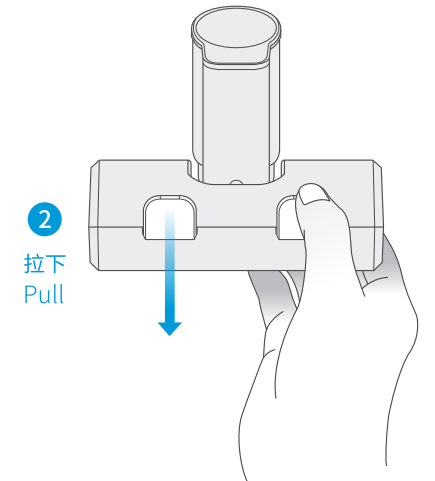
Mini Power Brush Cleaning

Please clean the brush when the brushroll or the wheel is entangled by hair.

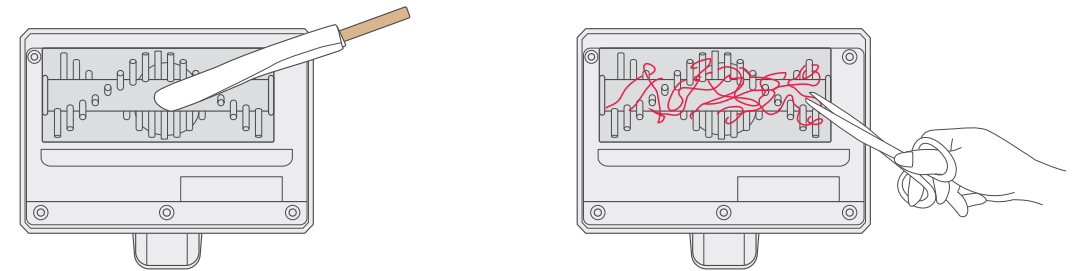
- 01 按压按钮，卸下电动床刷。
Disassemble the mini power brush.



- 02 按下图方向拉开锁扣，然后旋转取下底板。
Disassemble the brush bottom cover.



- 03 用一次性筷子缠绕纸巾或者布条，把内部擦拭干净。
如果滚刷缠绕毛发，用剪刀沿着滚刷剪断，然后清洗干净即可 - 清洁完成后，按照以上拆卸步骤装回。
Wipe the brushbar with napkin or cloth wrapped stick.
Cut the entangled hair with scissors if necessary.



⚠ 注意 Caution

1. 当灰尘堵塞住地刷风道时，请使用一次性筷子等去除；
2. 除了底盖外，其它不能用水清洗；
3. 运行过程中，请勿触摸底部滚转动的滚刷。

1. When the dust blocks the air flow of the floor brush, please clean it with a stick.
2. Except for the the bottom cover, all other parts cannot be washed with water.
3. Do not apply oil to both ends of the power-driven hairbrush.

异常处理

本品在使用时如发现异常, 请先查阅下表。

异常情况	可能原因	处理方法
三个电量指示灯闪白灯	- 地刷或除螨刷滚刷被缠住 - 使用环境温度过高或过低	- 清洁地刷或除螨刷 - 请在适宜环境内使用
电动地刷不工作	- 卷入了大型垃圾(包装膜等) - 滚刷被毛发等缠住	- 清理缠绕在滚刷上的毛发 - 清理垃圾
运行时间变短	- 电池老化 - 使用环境温度过高或过低 - 电池没有完全充满电	- 联系购买商铺或售后购买电池 - 在适宜环境内使用 - 请充电
吸力减弱	- 尘杯中灰尘过多 - 尘杯过滤棉堵塞 - 地刷或附件吸口堵塞 - 水洗后没有充分干燥	- 及时清理垃圾 - 清洗过滤棉 - 清理堵塞物 - 水洗后部件于阴凉处晾干使用
MAX指示灯闪蓝灯	- 过滤棉或风道堵塞	- 清洗过滤棉、尘杯及风道
无法充电	- 充电时周围环境温度 - 过低或过高	- 使机器处于合适的温 - 度环境充电 (5°C-40°C)

其他无法处理的故障, 请联系当地售后服务网点或拨打全国服务热线: 400 8899 315

中国RoHS



零部件名称	中国RoHS管控制物质或元素						备注:
	铅	汞	镉	六价铬	多溴联苯	多溴二苯醚	
电池	○	○	○	○	○	○	1. 本表格依据SJ/T 11364的规定编制。 2. ○: 表示该有害物质在该部件所有均质材料中的含量均在GB/T 26572规定的限量要求以下。 3. ×: 表示该有害物质至少在该部件的某一均质材料中的含量超出GB/T 26572规定的限量要求。 4. 本表中的有×的所有部件均符合欧盟的RoHS指令, 即“欧洲议会和理事会关于在电子电气设备中限制使用某些有害物质的第2011/65/EU号指令”及其修正案。
电源适配器	○	○	○	○	○	○	
下盖组件	○	○	○	○	○	○	
上盖组件	○	○	○	○	○	○	
手柄	○	○	○	○	○	○	
电机组件	○	○	○	○	○	○	
尘杯组件	○	○	○	○	○	○	
延长管	○	○	○	○	○	○	
电动地刷	○	○	○	○	○	○	
附件	○	○	○	○	○	○	
电动床刷	○	○	○	○	○	○	
电子电路	○	○	○	○	○	○	

TROUBLESHOOTING

In case of malfunction, please refer to the following table.

Problem	Possible causes	Solution
3 lamps for power indicator flicker	- The brushroll is wrapped - Temperature is too high or low	- Cleaning the rooling bar - Move the vacuum to suitable temperature
Power brush does not work	- Brush is trapped by hair or large debris	- Ensure that no hair or other thread is trapped around the brush and check brush area for larger debris
Running time shortened	- Battery aging - Ambient temperature is too high or too low - Battery is not fully charged	- Contact the shop or after sales service to replace the battery (at the user's own cost) - Your vacuum should only be operated in suitable ambient temperature
The vacuum has no suction power	- The dust cup is full - The filter is blocked - Suction inlet of brush or other accessory is blocked - Parts of the appliance is not fully dried after cleaning	- Clean the dust cup after use to prevent build-ups - Remove any dust or debris from the filter - Check for blockages at brush and other attachment points - Ensure that all components are properly dried after washing
MAX indicator flickers	- The filter or duct are blocked	- Clean the dust filter, dust cup and air duct
No charging	- Ambient temperature when charging is too low or too high	- Charge the machine under the right temperature environment (5°C-40°C)

For other failures, please contact the local service outlet or call the service hotline: 400 8899 315

CHINA RoHS



Name of parts	Chinese RoHS controlled substances or elements						Remarks:
	(Pb)	(Hg)	(Cd)	(Cr(VI))	(PBBs)	(PBDEs)	
Battery	○	○	○	○	○	○	1. This table is formulated based on the provisions of SJ / T 11364. 2. ○: Indicates that the content of this hazardous substance in all the homogeneous materials of the part is lower than the limit requirement prescribed in GBSJ / T 26572. 3. ×: Indicates that the content of this hazardous substance in a certain homogeneous material of the part has exceeded the limit requirement prescribed in GB/T 26572. 4. All the parts with * in this form are in accordance with EU RoHS instructions, namely "No. 65/2011 / EU Instruction of European Parliament and Council on Restrictions on the Use of Certain Hazardous Substances in Electrical and Electronic Equipment" and its amendment.
Adaptor	○	○	○	○	○	○	
Lower cover assembly	○	○	○	○	○	○	
Top cover assembly	○	○	○	○	○	○	
Handle	○	○	○	○	○	○	
Motor assembly	○	○	○	○	○	○	
Dustbin assembly	○	○	○	○	○	○	
Extension tube	○	○	○	○	○	○	
Power brush	○	○	○	○	○	○	
Accessories	○	○	○	○	○	○	
Mini power brush	○	○	○	○	○	○	
PCB	○	○	○	○	○	○	

安全说明



- 请勿将吸尘器接近热源，辐射或者燃烧的烟头，严禁吸入下列物体，
 1. 水及溶剂等一切液体。
 2. 石灰、水泥灰等建筑粉尘及垃圾。
 3. 发热物体，如未熄灭碳头、烟头。
 4. 锐利碎片，如玻璃等。
 5. 易燃易爆物品，如汽油或酒精制品。
- 切勿让小孩玩弄、操作吸尘器，以免发生意外；
- 您的吸尘器是一台电动器具：它必须按照正常使用条件进行使用，切莫让吸尘器在无人看管情况下独自运转；
- 清洁、维修或暂时不用吸尘器时，必须切断电源；
- 切断电源：不可拉电源线，应用手握住插头塑料部位拔下插头；
- 检查确认供电电压必须与吸尘器充电电压一致；
- 吸尘器的电源线，不要让它穿越锋利的物品，以免损坏电源线；
- 切忌将吸尘器浸入水中，避免接近发热器具或暴晒，以免发生火灾；
- 切勿拖拉电源线来移动充电座；
- 下列情形时，请不要使用吸尘器，并及时送至本公司指定的维修部检修
 1. 发生跌落并出现明显损坏或运转不正常；
 2. 电源线破损；
- 避免在吸入口堵住的状态下长时间运行，以免电机损坏及吸尘器发热变形。

充电提示：

1. 在以下情况中，充电时间可能延长：
 - a. 在室温超过30℃以上的场所充电时；
 - b. 停止运行后，立即充电时。
2. 不管使用时间长短，清扫结束后请进行充电。
3. 不充电时，建议将充电器及时拔下。
4. 若您的机器长时间（2个月以上）不使用时，请将电源插头拔下，但为了保证电池寿命，每2个月需将其充满电一次。
5. 充电过程中，机体或电源适配器可能出现发热，属正常现象，请放心使用。

SAFETY INSTRUCTIONS



- Do not place the appliance close to heat sources, radiation, or burning cigarette. Do not use the appliance to remove the following objects.
 - 1) All liquids such as water and solvents.
 - 2) Lime, cement, ash and other construction dust and garbage.
 - 3) Hot objects, such as cigarette butts.
 - 4) Sharp objects, such as glass shards, etc.
 - 5) Inflammable and explosive articles, such as gasoline or alcohol products.
- Do not let children play with or operate the appliance to prevent accidents.
- Your appliance is an electric appliance: It must be used appropriately. Do not leave the operating appliance unattended.
- The power must be turned off during cleaning, maintenance or when in storage.
- Do not pull the power plug to turn off the appliance. Hold the plastic part of the plug to remove it from the power socket.
- The power supply voltage must correspond to that of the appliance charging voltage.
- Keep the power cord away from sharp objects to prevent it from being damaged.
- To prevent fires do not immerse the appliance in water, do not expose it to any heating appliances.
- Do not drag the power cord when moving the docking station.
- In the case of below situations do not use the appliance and send it immediately to the nearest approved maintenance facility :
 - The appliance fell and consequently damaged
 - The power cord is damaged
- Stop operating the appliance if the suction inlet is blocked to prevent damages (such as overheating) to the motor or deformations to the vacuum plastic parts occasioned by overheating motor.

Battery charging signal:

1. It may take you longer time for charging under the following circumstances:
 - a. Room temperature is higher than 30°C.
 - b. Recharge immediately after the appliance has stopped operating.
2. Always recharge the appliance after each usage no matter how long it has been used.
3. Unplug when not charging.
4. When not in use for more than two months the appliance should be disconnected from the power supply. To ensure a longer service life, the appliance must be charged once every two months.
5. The appliance or adapter may become hot during charging so take the necessary precautions to avoid contact.

保修须知

美的真空吸尘器严格遵照国家“三包”规定进行维修服务
用户在正常使用产品的情况下，提供相关免费维修服务



- 家庭整机保修两年，电机保修三年，充电产品的充电器、电池保修半年；
- 非家庭整机及其主要部件保修半年；
如：经营、商用、公司集体的产品。
- 保修期内用户可享受免费上门维修（特殊地区除外）服务；
“免费上门维修”限桶吸产品。
- 保修期界定：
 - 1.以有效保修凭证的开具日期作为保修期的起始日期；
 - 2.没有有效保修凭证的，按出厂日期后6个月作为保修期的起始日期；
 - 3.若既无有效保修凭证也无出厂日期的，则按该产品的最早上市日期后6个月作为保修期的起始日期；
 - 4.网购产品15天界定期以收货日期计算，后期保修可按发票日期计算。
- 保修期内维修更换的零部件归本公司所有，保修期外维修更换的零部件归用户所有；
- 其他事项按照国家“三包”规定执行；
- 凡属下述情况之一的，不在保修范围内：
 - 1.吸尘器附件（金属伸缩管/塑料接插管、软管、地刷、小附件等），耗材（滤芯、集尘袋等）和赠品；
 - 2.用户搬运、使用、维护、保管不当而损坏的；
 - 3.使用充电电压低于187V或者高于240V而损坏的；
 - 4.未按产品使用说明书要求使用、维护、保养而造成损坏的；
 - 5.非本公司专业服务人员拆卸、维修的；
 - 6.因不可抗力（如雷电、火灾、地震、水灾等自然灾害）造成损坏的；
 - 7.产品超出保修期的；
 - 8.发票或保修卡上记录的型号或编号与商品实物不符合的。
- 以上情况我公司将实施收费维修，费用类型包括维修费、零部件费，具体费用标准在相关部门允许范围内。
- 由代理商、经销商、零售商自行承诺的额外服务与附加的非原厂配置赠品，由原代理商、经销商、零售商负责服务。

⚠ 注意

1. 本产品只限于家用，非家用出现任何问题本公司概不负责。
2. 如您发现产品需要服务时，请直接联系当地特约服务网点或我司服务热线400-8899-315。
3. 如来信，请留下您的联系电话，以便您能尽快得到回复。

WARRANTY INFORMATION

Midea appliance strictly comply with government policies .
Our company provide free maintenance service for the products operated under normal usage.

- The warranty period is two years for residential or home usage, three years for the motor, and six months for charging products and battery.
- The warranty period (including main components) is six months for non residential or non home usage. It applies to, but not limited, business offices, commercial entities, cleaning companies fleet of appliance.
- During the warranty period, you will benefit from no cost home maintenance services (except for some special areas). the no cost maintenance is only applicable to the barrel products.
- **Definition of the warranty period:**
 - (1) The date for issuing the valid warranty certificate should be taken as the starting date of the warranty period.
 - (2) Without a valid warranty certificate, the first day after 6 months from the delivery date should be taken as the starting date of the warranty period
 - (3) If there is no valid warranty certificate, no packaging date, the first day after six months from market release should be taken as the starting date of the warranty period.
 - (4) Date is defined as being 15 days after receiving the products; the warranty period will start from that date.
- **The manufacturer is responsible for replacing the components during the warranty period.**
Components replacement is the responsibility of the user beyond the warranty period.
- **Other matters follow the government policies.**
- **The warranty does not apply to the following situations:**
 - (1) Appliance accessories (metal extension tube/plastic tube, hose, floor brush, small accessories, etc.), some parts (filter, dust bag, etc.) and gifts.
 - (2) The appliance is damaged due to improper usage (including storage) and operation by the user.
 - (3) The appliance is damaged due to incorrect charge voltage utilization (below 187 V or above 240 V).
 - (4) The appliance is damaged due to failure of following procedures as described in this manual for maintenance, cleaning and usage.
 - (5) Disassembly, repair by people other than the company's specialized service personnel.
 - (6) Damages due to natural causes (such as lightning, fire, earthquake, floods and other natural disasters).
 - (7) The warranty period has expired.
 - (8) The product type or serial number noted on the invoice or warranty card is not in conformity with the actual product.
- **If any of the above written situations arise, the user will solely bear all the charges related to the maintenance including the cost of spare parts. The cost is defined according to standard charges.**
- **Any commitment for extra services, additional gifts made by original agents, distributors or retailers are their sole responsibility and the manufacturer cannot be held responsible or liable.**

⚠ Caution

1. This product is limited for home usage and the company is not responsible for any problems caused by other usage.
2. For service, please directly contact the local special service outlet or our service hotline 400-8899-315.
3. Please indicate your contact phone number or email for faster response.

保修卡

WARRANTY CARD

保修卡	维修记录
用户姓名	日期
电话	故障内容
通讯地址(邮编)	产品型号
购买商店	处理内容
维修点	维修单位名称
编号	电话
发票号码	维修员签名
购买时间	

Warranty card	Record of Maintenance
User name	Date
Tel	Problem description
Contact address (Post code)	Product model
	Detailed information
Purchase location name and address	Service technician name
	Tel
Service/maintenance supplier	Service technician signature
Serial No.	
Invoice No.	
Purchase date	

tips 修理时需出具发票 Original proof of purchase (store invoice) is required for any service request.

⚠ 注意 Caution

1. 此保修卡在购买本公司产品时立即填写。
2. 此保修卡请妥善保存，购买者不必将卡寄回本公司。
3. 维修时请携带此证及有效发票正本。

1. This warranty card should be immediately filled after purchase.
2. Keep this warranty card for your records; it does not need to be returned to Midea.
3. Bring / provide the warranty card and original invoice for service requests.

产品参数

产品技术参数

型号	额定充电电压	额定电压	额定功率
VH1701	220V	21.6V	230W
VH1702	220V	21.6V	380W
VH1703	220V	21.6V	380W

PRODUCT PARAMETERS

Product Technical Parameters

Model	Rated Charging Voltage	Rated voltage	Rated Power
VH1701	220V	21.6V	230W
VH1702	220V	21.6V	380W
VH1703	220V	21.6V	380W